

# Smartphone Plug-in

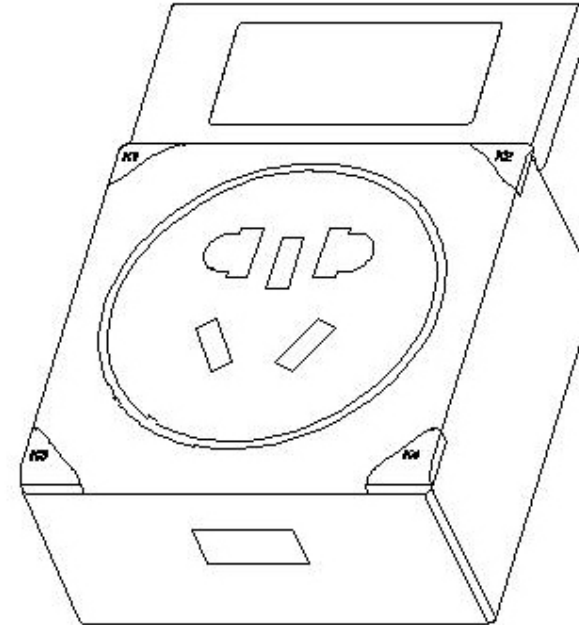


## Features

- Allow Smartphone control by Wi-Fi
- Allow direct control with LCD display and buttons
- With USB charging port
- Charging protection, automatically turns off power when charging is completed
- Blue LED ring indicating light
- Compact design
- PC-V0 flame resistance material

## Specification

Input Voltage/Frequency	100-240V~50/60Hz/10A
IOutput Voltage/Frequency	AC110-240V~50/60Hz / 10A DC 5V/1A
Operation environment	20-90% RH, -20°C to 55°C
Unit dimension / weight	60 x 60 x 30mm / 160g



ISH-483

## IMS International Ltd.

Unit 1, 39/F., Cable TV Tower, 9 Hoi Shing Road, Tsuen Wan, N.T., Hong Kong.

Tel : +(852) 2881 8011 Fax : +(852) 2894 8682 Web : [www.imasu.com](http://www.imasu.com), Email : [sales@imasu.com](mailto:sales@imasu.com)

- **Specification is subject to change without prior notice due to continuous product improvement**